



## Turbine Unit (TBN)



II 2 G D

The JCE range of Turbine Units are intended for use in areas made potentially hazardous by the presence of flammable liquids, gases or vapours (Zone 1 and Zone 2). Certified for Group IIB locations.

The TBN 1100 is a small wind turbine with 1.7m diameter blades that can be used with 24V DC battery systems. This battery charge version includes the turbine "head" plus the regulator. It also needs an appropriate 24V battery bank to store the energy and suitable 24V loads.

### Electrical Information

Battery Charge:	24V DC
Reference power at 11.0m/s (24.6mph):	723 W (into battery)
Reference annual energy at 5.0 m/s:	1300 kWh/yr; 48 kWh/yr
Cut-in wind speed:	3.0 m/s
Cut-out wind speed:	n/a
Maximum power:	1050 W
Maximum voltage:	24V nominal
Maximum current:	30 A
Power form:	24 V DC
Power input:	<0.5 W

### Generators

4 Volt Marine Grade 1100 Watt

### Entries and Thread Standards

Standard thread forms ISO Metric M20 or M25

Larger internal earths can be fitted on request.

### Protection Grade

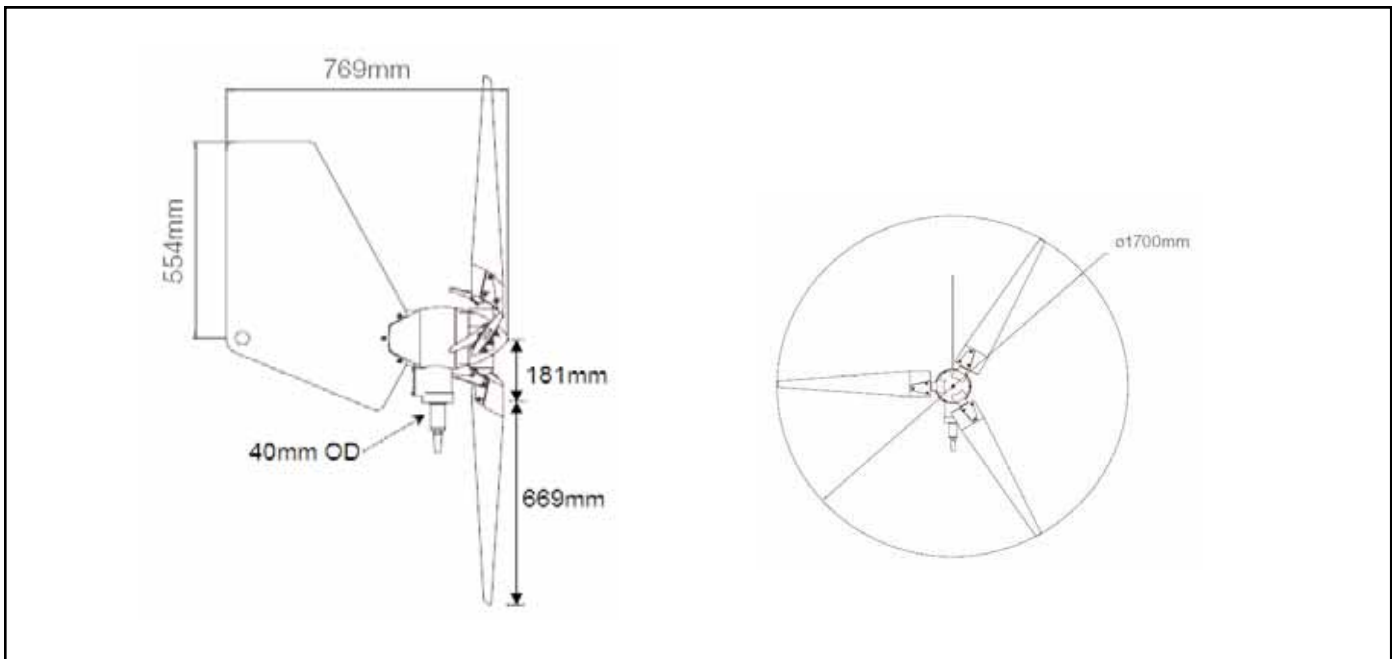
Style 'A' flat lid incorporating a gasket providing Ingress Protection to IP66.

### Certification

ISSeP03ATEX029

EExd IIB T6

## Dimensions



## Specifications

Battery Charge	:	24V DC
Cut-in wind speed	:	3.0 m/s
Cut-out wind speed	:	n/a
Maximum power	:	1050 W
Maximum voltage	:	24V nominal
Maximum current	:	30 A

Reference power at 11.0m/s (24.6mph)	:	723 W (into battery)
Reference annual energy at 5.0 m/s	:	1300 kWh/yr; 48 kWh/yr
Power form	:	24 V DC
Power input	:	<0.5 W
Generators	:	4 Volt Marine Grade 1100 Watt



19998 Hickory Twig  
Spring, TX 77388  
(281) 882-8300  
www.sourceiex.com



JCE Group (UK) Ltd, Blackburn Business Park, Aberdeen, AB21 9LP  
Tel. +44 (0) 1224 798600 Fax +44 (0) 1224 798601  
E-Mail: info@jcegroup.com

JCE (Europe) Ltd., East Way, Lee Mill Industrial Estate, Ivybridge, Devon, PL21 9LL  
Tel. +44 (0) 1752 690530 Fax +44 (0) 1752 690531  
E-Mail: info@jcegroup.com

\* Electrical values under standard test conditions(STC): irradiation of 1000 W/m<sup>2</sup>, airmass AM 1.5 and all temperature of 25 °C

\*\* Electrical values under normal operating all temperature (NOCT): irradiation of 800 W/m<sup>2</sup>, airmass AM 1.5 wind speed of 1m/s and ambient temperature of 20 °C

\*\*\* 10 year or 90% of the minimally specified power P under standard test conditions (STC)

\*\*\*\* 20 years on 80% of the minimally specified power P under standard test conditions (STC)